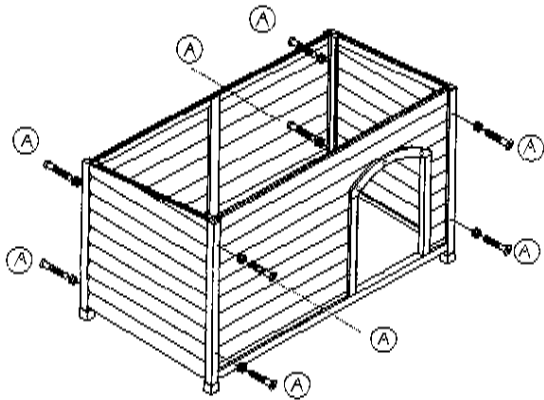
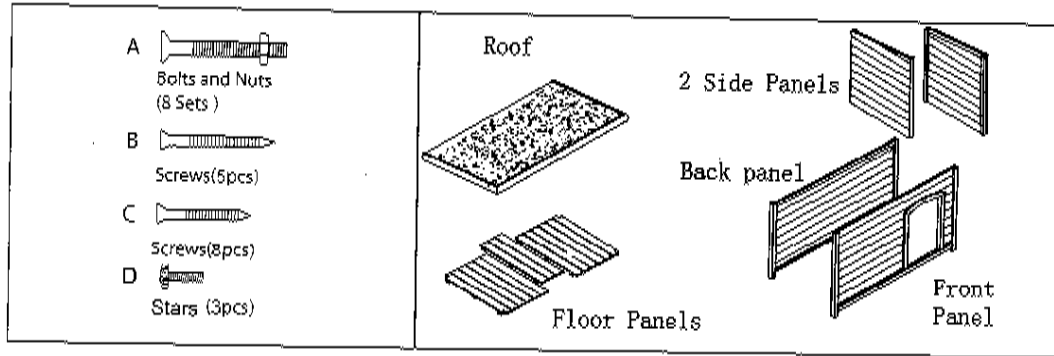
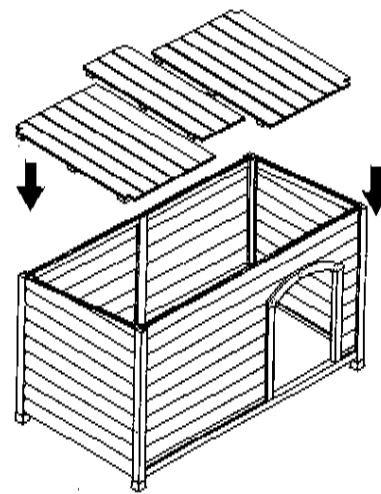


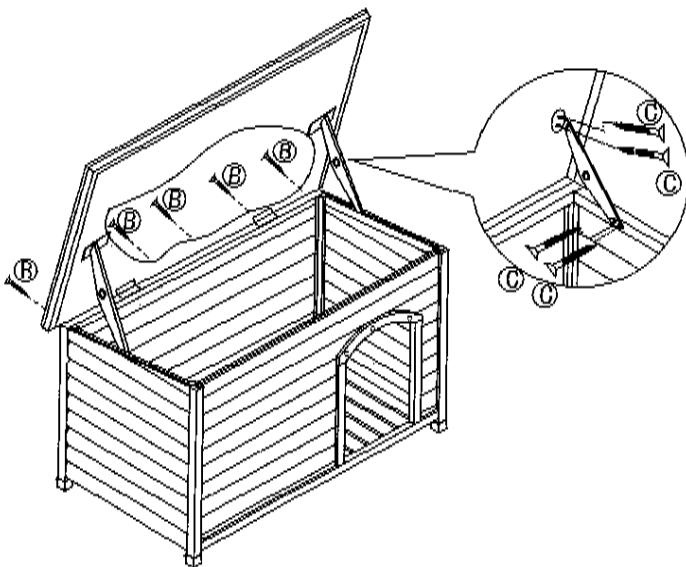
DOG HOUSE ASSEMBLY INSTRUCTION



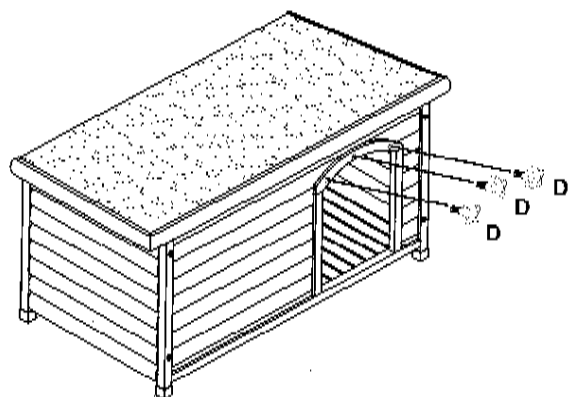
Step 1:
Secure Side Panels with bolts and nuts.



Step 2:
Drop in floors



Step 3:
Secure Roof onto the body



Step 4: Attach 3 star bolts on dog door.(Finish)